


AXA HOME SECURITY
EN


AXA Remote 2.0 S duo set

Remote controlled synchronous window openers

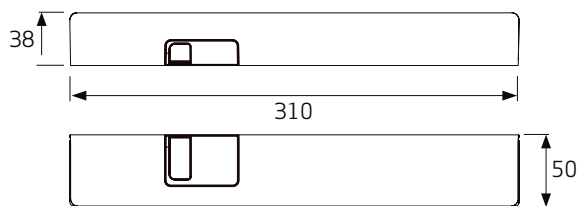
EMC 2004/108/EC

Information

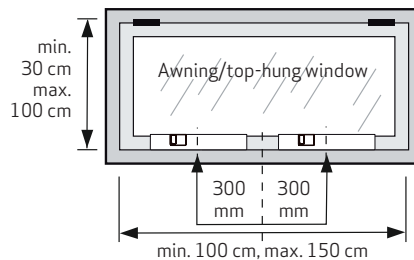
You have just acquired a high quality AXA product. The instructions below must be followed closely in order to effectively install and operate this product.

Installation tools (recommended):

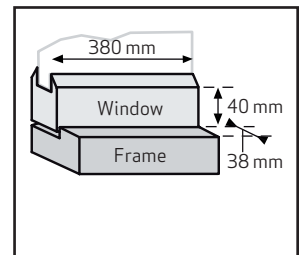
Tape measure, (cordless) drill, screwdriver, Ø 2 mm drill bit, pencil or bradawl, screw hook and allen key



Installation location:



Minimum required installation space:



Application:

Wide awning and top-hung windows, opening outwards



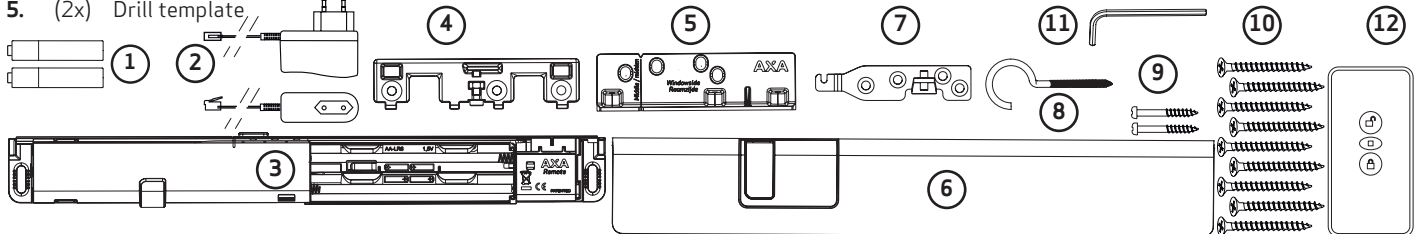
Window width: minimum 100 cm - maximum 150 cm

Minimum window height: 30 cm.

Maximum range of remote control: distance 10 m.

Package contents

- | | | |
|-----------------------------|----------------------------|--------------------------------|
| 1. (2x) AAA Batteries | 6. (2x) Cover | 10. (18X) 4.0 x 40 mm screws |
| 2. (1x) Adapter | 7. (2x) Window plate | 11. (2x) Allen key |
| 3. (2x) Closing unit | 8. (2x) Screw hook | 12. (1x) Remote control |
| 4. (2x) Window casing plate | 9. (4x) 3.5 x 30 mm screws | 13. (1X) 73 cm connection lead |
| 5. (2x) Drill template | | |



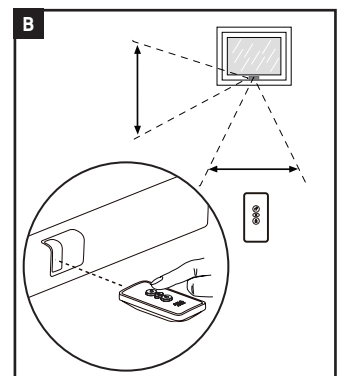
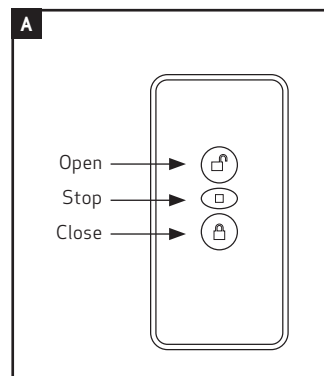
User manual

Remote control (figure A):

The remote control has 3 buttons: *Open*, *Stop* and *Close*. If the *Open* or *Close* button is pressed briefly, the window opens or closes fully.

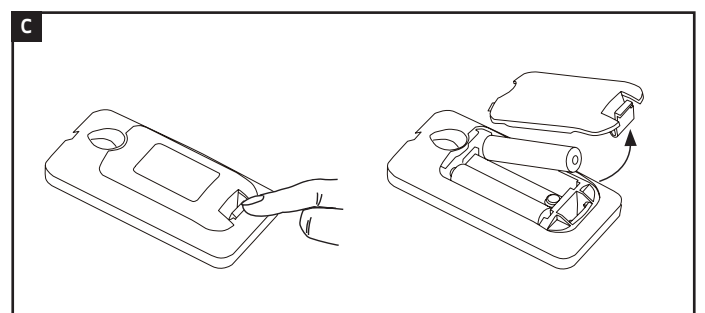
If the *Open* or *Close* button is pressed for longer, the window opens or closes while the button is kept depressed. If the *Stop* button is pressed, the movement stops.

Always point the remote control (12) at the front of the closing unit (3) (figure B).



Configuring the remote control and synchronising the closing units requires a specific configuration sequence

- 1 Insert 2x AAA batteries (1) into the remote control (12) (figure C).
- 2 Connect closing unit 1 to closing unit 2 with the connection lead supplied (13) (figure D).
- 3 Connect the adapter lead (2) to one of the closing units. Insert the adapter into the power socket (figure D).





AXA Remote 2.0 S duo set

Remote controlled synchronous window openers

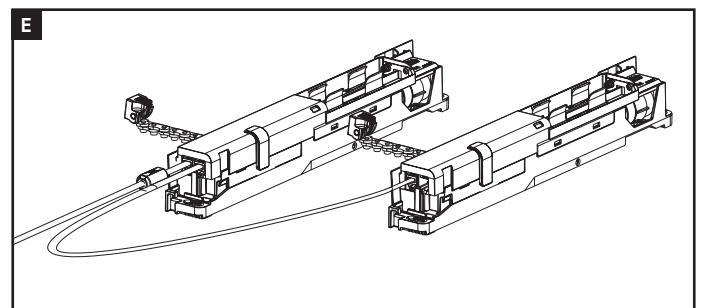
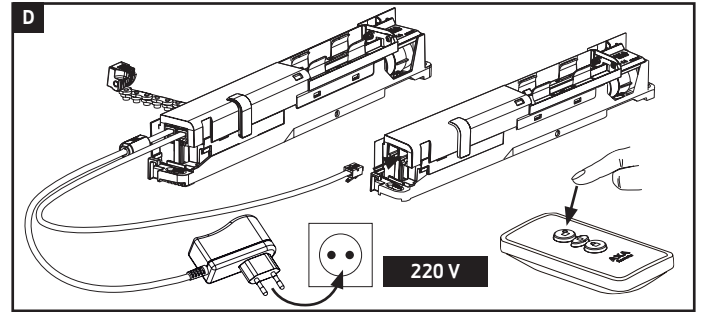
EMC 2004/108/EC

- 4 The LED light in the closing unit will come on for 20 seconds (green). Press within these 20 seconds the *Open* button (top button) on the remote control. The light will briefly turn off when configuration is taking place.
- 5 Let the chains for both closing units fully unwind (figure **E**).



The configuration time is 20 seconds. The LED light will switch off once this time has elapsed. If you want to configure the remote control or another remote control, you must briefly remove the adapter and then re-insert it. Then repeat steps 3 to 5.

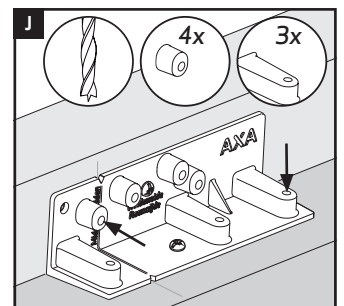
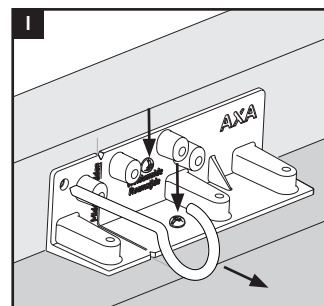
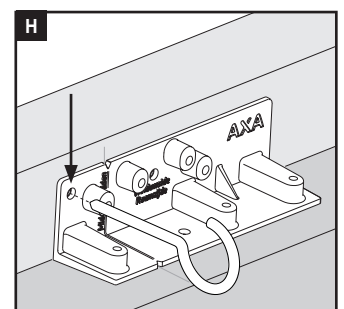
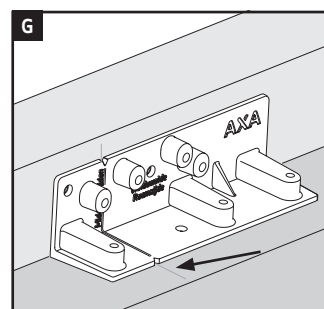
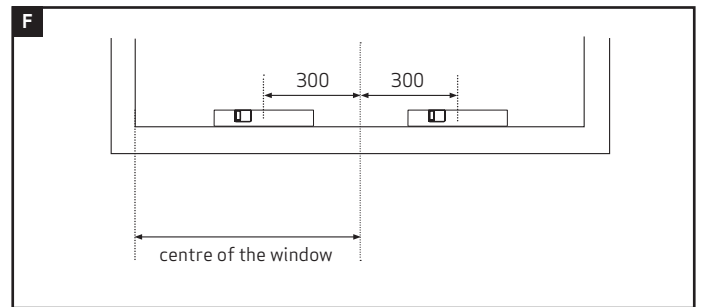
- 6 The closing units are now ready for mounting on the window casing. If required, the wires can be removed from the closing units.



Installation manual

Installation preparation

- 7 Check whether the window opens and closes effortlessly.
- 8 Mark the middle of the window on the window casing.
- 9 From the centre, mark off a distance of 300 mm both left and right of the centre (figure **F**). This line serves as a marking for the drill template.
- 10 Place a drill template **(5)** with the centre of the V sign on the marked central point, firmly against the window and window casing (figure **G**). Mark the hole (figure **H**) and screw the screw hook **(5)** into the window through the opening of the drill template (pre-drill \varnothing 2 mm). Use this screw hook to properly close the window; ensure the drill template is firmly against the window and window casing (figure **I**). Pre-drill the attachment points for the drill template (\varnothing 2 mm).
- 11 Fix the drill template in place using the screws **(9)** (3.5×30 mm) and remove the screw hook (figure **I**).
- 12 Repeat steps 10 and 11 with the second drill template on the right hand marking.
- 13 Pre-drill the 2 x 7 holes (figure **J**) using a \varnothing 2 mm drill bit.
- 14 Remove the drill templates.



Installation

- 15 Mount both window plates **(7)** (using pre-drilled holes) with 2 x 4 screws **(10)** (4.0×40 mm)* (figure **K**).



When using a battery drill, you must make the last few tightening revolutions by hand

- 16 Mount both window casing plates **(4)** (using pre-drilled holes) with three 4.0×40 mm screws (figure **K**).
- 17 Turn the adjusting screw for both window casing plates fully in (figure **K**).
- 18 Slide closing unit 1 onto the window casing plate; keep the window slightly open when doing so (figure **L**).

* For pine wood: Use four 4.5×45 mm screws.



AXA Remote 2.0 S duo set

Remote controlled synchronous window openers

EMC 2004/108/EC

- 19** Slide the block on the chain fully over the window plate.
The block will fix itself in place.

Final assembly

- 20** Screw closing unit 1 in place using the 2 screws **10** (pre-drill \varnothing 2 mm), one on the left-hand side and one on the right-hand side of the unit (figure **M**).



When doing so, hold the closing unit and ensure it stays parallel to the window.



Screw in the middle of the groove in case adjustment is needed.

- 21** Repeat steps 19 to 21 for closing unit 2.

- 22** Connect the two closing units with the lead supplied **13**.
Conceal these in the closing unit or in a cable duct.

The adapter can be connected to either closing unit. Decide if you want the adapter wire to come out the left or right side of the closing unit (depending on the location of the power socket).

- 23** Click the adapter wire into the closing unit (figure **N**):
- Lead the wire from the left-hand side of the closing unit (figure **N**) and place the adapter in the power socket.

Or:

- Lead the wire on the right through the groove (figure **N**) of the closing unit and under the designated hook (figure **N**).
Push the adapter into the power socket.

The position of the interference device in the wire may not be changed.

Ensure that the wire is placed neatly along the window casing.

- 24** Close the window with the remote control. If the window closes properly, the LED on the closing units will briefly light up (figure **O**).

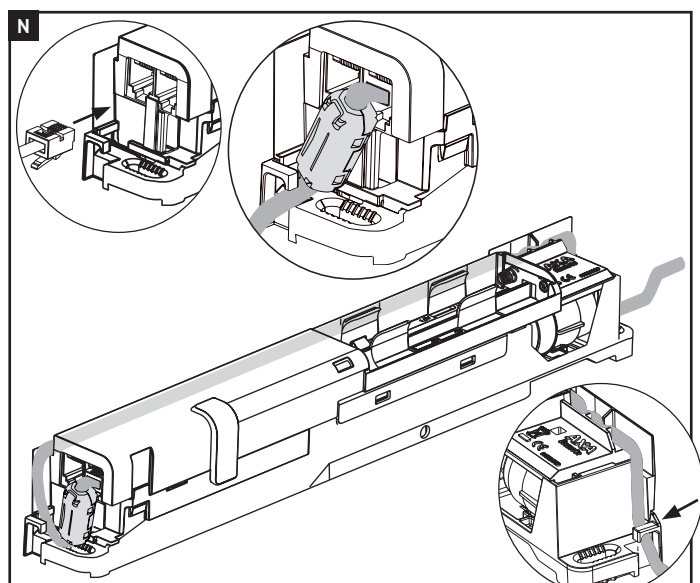
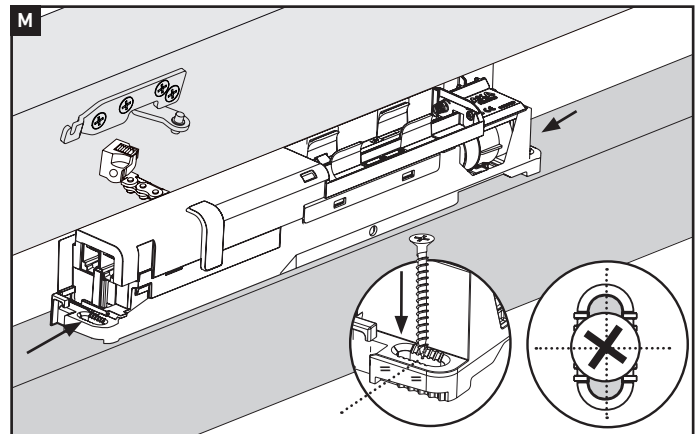
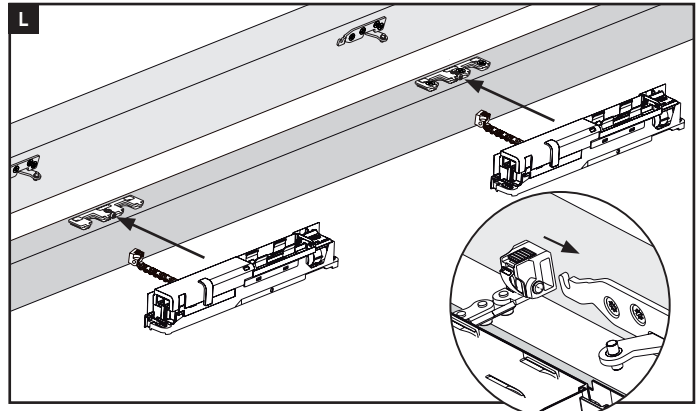
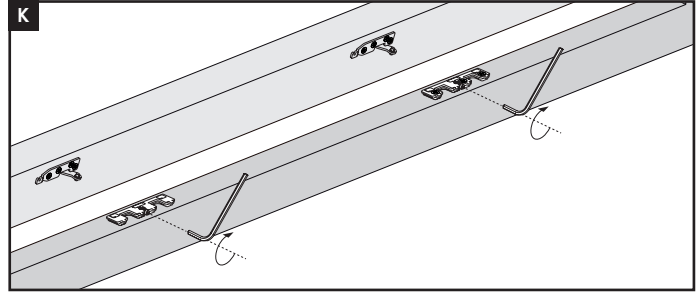
Configuring the closing unit:

- 25** The closing units stop flashing once they are fully closed.
After unscrewing the outside screws of the closing unit, you can adjust the closing position with the adjusting screw.

If the window does not close completely to normal position:

If the window is not closed enough (the window moves or a draft comes through the window), you must turn the adjustment screw to the left (figure **P**).

For effective operation, we recommend not adjusting the closing units too tightly.




AXA HOME SECURITY
EN


AXA Remote 2.0 S duo set

Remote controlled synchronous window openers

EMC 2004/108/EC

If the closing unit does not lock completely:

If the closing unit does not yet close properly, the LED light will flash. In this case, the unit is too *tight*. If the closing unit has been configured too tightly, you must turn the adjustment screw to the right (figure **Q**). Press the close button on the remote control once again and check whether the closing unit closes properly. Repeat this process until the unit closes properly.

26 Once again, check whether the window opens and closes properly by fully closing and opening the window once. Repeat step 26 if the window does not flow or close properly.

Assembly cover:

27 Slide both covers **6** from the front onto the closing units until they can go no further (figure **R**).

28 The AXA Remote controls have now been synchronised for use with one window.



- **A remote control can be configured to an unlimited number of window units.**
- **A window unit can be configured to a maximum of 8 remote controls.**

NB. The AXA Remote is only intended for objects with a residential or office purpose.

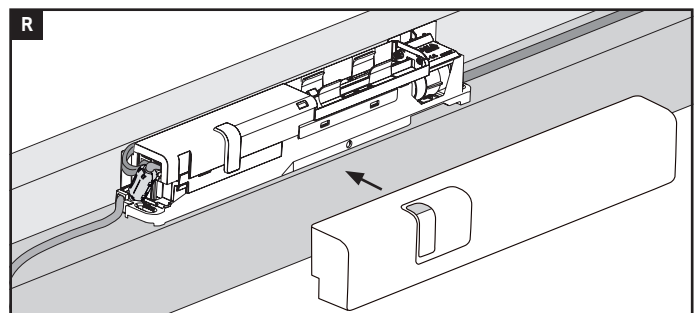
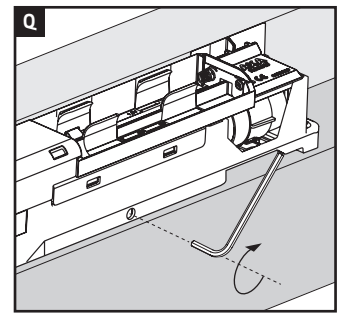
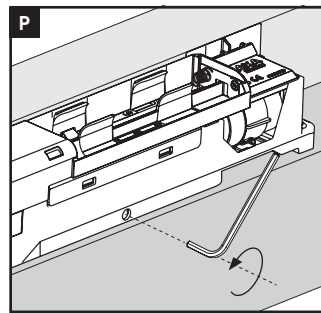
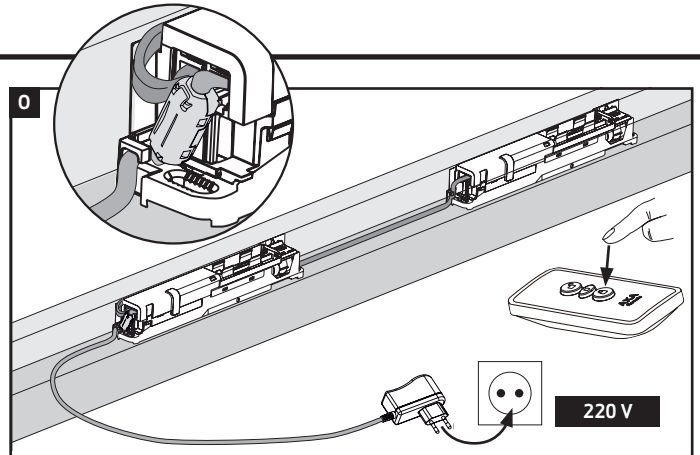
Troubleshooting

The window does not close

- Check that the installation steps have been followed correctly.
- Disconnect the chains from the window and check that the window does not become stuck and operates without problems.
- The unit has been configured too tightly. The closing units may sometimes not properly close the window (for example, the expansion and contraction of the window causes by temperature variances) if it has been configured too tightly. Unscrew the outside 2 screws of the closing units (figure **M**) a few turns. Turn the adjustment screws fully to the right (figure **Q**). Repeat steps 26 to 27. Screw the closing units tight again with the 2 outside screws.

The unit does not react or reacts insufficiently

- Remove the adapter connection from the socket and wait for 1 minute. Press a button on the remote control as if you are about to use the units. Replace the adapter. Now try to use the unit by pressing one of the buttons on the remote control.
- To save energy, the unit switches to sleep mode after a certain period of time; that is why you sometimes need to press twice on the remote control to activate the unit.
- Environmental factors could have an impact on the range of the remote control. Full sun, very close illumination at the front of the unit or a dusty/moist environment can reduce the remote control distance. In this case, you must move closer to the closing units to operate them.



- The batteries may be flat (have insufficient power). Replace the batteries in the remote control.

Configuring different units with the same remote control

- Briefly remove the batteries from the to-be-configured window unit or briefly remove the adapter from the power socket and wait 1 minute. Replace the batteries or the adapter. Continue to configure the remote control so long as the LED light remains green (20 seconds) (see figure **C**).

Ventilation capacity

According to NEN 1087 and NEN 8087, which identify minimum ventilation per area, the AXA Remote 2.0 complies with the minimum ventilation capacity of 37 m³/hour per area, based on a window surface area of 0.42 m². Due to its many opening possibilities, the AXA Remote 2.0 is also suitable for aeration. For the mentioned window size, each AXA Remote 2.0 is able to sufficiently ventilate an area of 33.3 m². The AXA Remote 2.0 also complies with the capacity guideline established in NPR 1088, because it enables continuous opening and closing. This allows the required ventilation to be arranged.